

HIGH TEMP THERMOCOUPLE



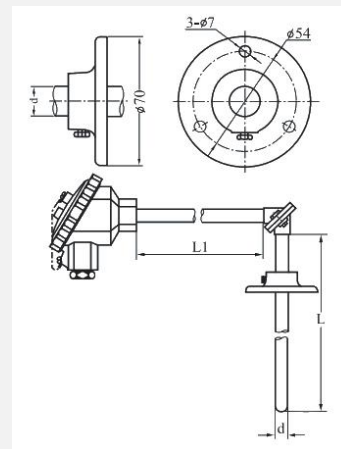
OVERVIEW

This high temp thermocouple is introduced right angle structure. The series is designed for special working environment such as high temperature or harmful gas which influence the junction box, and for incapable of direct horizontal and vertical mounting situation. For 90° angle layout, the high temp thermocouple effectively avoid measuring error caused by high temperature.

It contains wide measuring range from 0°C~800°C (32°F~1472°F).

DESIGN STANDARD

- Electric Outlet: M20×1.5, NPT1/2
- Protection Grade: IP65
- Accuracy: I, II
- Nominal Pressure: Normal Pressure



TECHNICAL REFERENCE

Model	Graduation	Measuring Range °C	Thermal Response Time	Protective Tube Material	Dimension
					L
CMWRN-530	K	0~800	<90s	1Cr18Ni9Ti	500×500
CMWRE-530	E	0~600			750×750
		0~800			